

# ROBUS®

OUTDOOR

## KINGLET DIE CAST LED IN-GROUND SPOT LIGHT

3W, 8W, 16W, IP67



RKG0230SS-13

RKG60130SS-13

RKG1201330SS-13

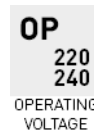
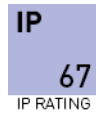
### PRODUCT INFORMATION DOCUMENT

#### FEATURES

- 304 marine grade stainless steel front plate with very high resistance to corrosion
- Suitable for static loads up to 500kg
- Equipped with high quality Phillips or CREE LEDs ensuring luminaire's reliability and high output
- Equipped with honeycomb louvre to limit glare
- Complete with plastic sleeve for sitting into brickwork/ concrete with depth of 130-140mm
- Suitable for walk-over applications
- Suitable for switching by PIR, Microwave or Photocell sensors

#### CONSTRUCTION

- Die cast aluminium housing and tempered glass diffuser
- FR-4 driver and LED PCB
- Prewired with 3m rubber flex



Product Code:	RKG0230SS-13	RKG60130SS-13	RKG120130SS-13
Comparable to:	NA	NA	NA
Total Power (W):	3.4	8.1	16.4
Power Factor:	0.5	0.9	0.95
Total Light Output (lm):	200	760	1540
Total Emergency Light Output (lm):	NA	NA	NA
Efficacy (lm/cctW):	59	94	94
Lux at 1m (lux):	550	2020	4030
Emergency Lux at 1m (lux):	NA	NA	NA
CCT (K):	3000	3000	3000
CRI:	80	80	80
IP:	67	67	67
IK:	09	09	10
Operation Temperature (°C):	-20 ≤ Ta ≤ +45	-20 ≤ Ta ≤ +45	-20 ≤ Ta ≤ +45
Inrush Current:	NA	NA	NA
RG Value:	0	0	0
SDCM:	6	6	6
Energy Class:	F	E	E
Rated Life to L70B50 (Hrs):	30000	30000	30000
Dimensions ØxH (mm):	70x133	125x133	170x148
Weight (kg):	0.42	1.0	1.6

Product is certified to all the relevant standards.

Please contact our technical department for market specific compliances.

PLEASE NOTE: INFORMATION IN THIS DOCUMENT MAY BE SUBJECT TO CHANGE WITHOUT PRIOR NOTICE

IRE: TEL: +353 1 709 9000  
 UK: TEL: 0800 973 220  
 AUS: TEL: +61 7 3890 5444  
 NZ: TEL: +64 03 668 5285

WEB: ROBUS.COM  
 WEB: ROBUS.COM  
 WEB: ROBUS.COM.AU  
 WEB: ROBUSLED.CO.NZ

LED GROUP EUROPE · UK · AUSTRALIA · NEW ZEALAND · ASIA · MIDDLE EAST · AFRICA

### KINGLET DIE CAST LED IN-GROUND SPOT LIGHT

3W, 8W, 16W, IP67

#### Cone Illuminance Diagram

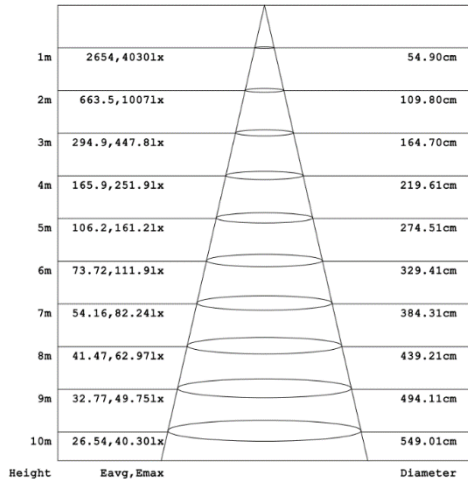


Diagram for RKG120130SS-13 in 3000K. Other diagrams available on request

#### Polar Intensity Diagram

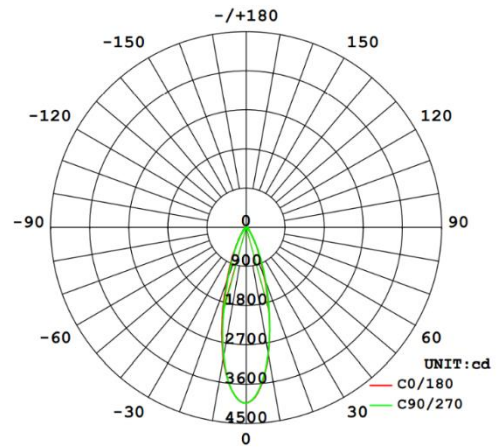
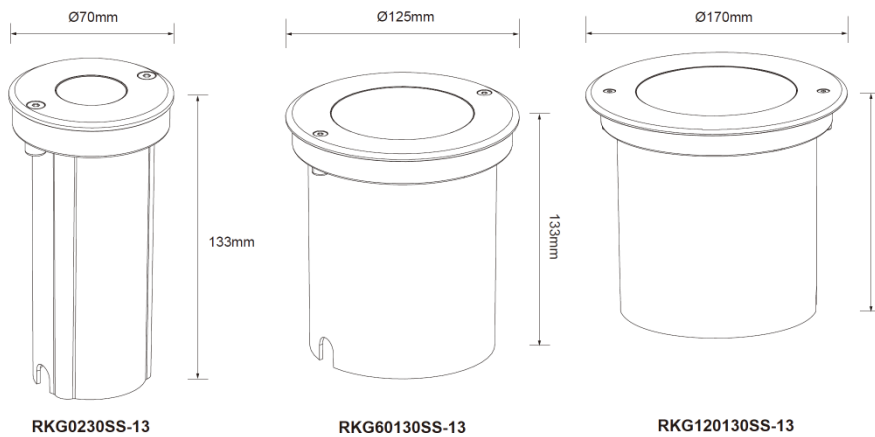


Diagram for RKG120130SS-13 in 3000K. Other diagrams available on request

#### Dimension Diagram



#### Accessories

NA

#### Sensor Data

Time Off Delay:	NA
Illuminance Switching Range:	NA
Sensitivity Range (%):	NA
Mounting Height (max):	NA
Detection Zone Diameter (max):	NA

PLEASE NOTE: INFORMATION IN THIS DOCUMENT MAY BE SUBJECT TO CHANGE WITHOUT PRIOR NOTICE

IRE: TEL: +353 1 709 9000  
 UK: TEL: 0800 973 220  
 AUS: TEL: +61 7 3890 5444  
 NZ: TEL: +64 03 668 5285

WEB: ROB.US.COM  
 WEB: ROB.US.COM  
 WEB: ROB.US.COM.AU  
 WEB: ROB.US.LED.CO.NZ

LED GROUP EUROPE · UK · AUSTRALIA · NEW ZEALAND · ASIA · MIDDLE EAST · AFRICA